

VENOM

By LightFORCE

GENESIS

By LightFORCE

USER INSTRUCTIONS

VENOM & GENESIS

LED DRIVING LIGHTS.



LightFORCE[®]

VENOM LED KIT CONTENTS

Single Pack

Part Number: VENOMLED150

- 1 x Venom 150mm LED Driving Light
- 1 x Spot filter
- 1 x Reversible mounting bracket (fitted loose to light)
- 2 x M10 x 35mm stainless steel hex bolts with washers and Nyloc® nuts (side bolts fitted to light)
- 1 x M10 x 35mm stainless steel hex bolt with washer and Nyloc® nut (fitted to bracket for mounting)
- 1 x 4 pin waterproof harness adaptor
- 1 x User instructions.

Twin Pack

Part Number: VENOMLED150PK

- 2 x Venom 150mm LED Driving Lights
- 2 x Spot filters
- 2 x Reversible mounting brackets (fitted loose to light)
- 4 x M10 x 35mm stainless steel hex bolts with washers and Nyloc® nuts (side bolt fitted to light)
- 2 x M10 x 35mm stainless steel hex bolts with washers and Nyloc® nuts (fitted to bracket for mounting)
- 2 x 4 pin waterproof harness adaptors
- 1 x User instructions.

GENESIS LED KIT CONTENTS

Single Pack

Part Number: GENESISLED210

- 1 x Genesis 210mm LED Driving Light
- 1 x Spot filter
- 1 x Reversible mounting bracket (fitted loose to light)
- 2 x M10 x 35mm stainless steel hex bolts with washers and Nyloc® nuts (side bolts fitted to light)
- 1 x M10 x 35mm stainless steel hex bolt with washer and Nyloc® nut (fitted to bracket for mounting)
- 1 x 4 pin waterproof harness adaptor
- 2 x 1/4" x 1 1/4" long UNC stainless steel hex bolt with washer and nut (in bag)
- 1 x User instructions.

Twin Pack

Part Number: GENESISLED210PK

- 2 x Genesis 210mm LED Driving Lights
- 2 x Spot filters
- 2 x Reversible mounting brackets (fitted loose to light)
- 4 x M10 x 35mm stainless steel hex bolts with washers and Nyloc® nuts (side bolt fitted to light)
- 2 x M10 x 35mm stainless steel hex bolts with washers and Nyloc® nut (fitted to bracket for mounting)
- 2 x 4 pin waterproof harness adaptors
- 4 x 1/4" x 1 1/4" long UNC stainless steel hex bolts with washers and nuts (in bag)
- 1 x User instructions.

TOOLS REQUIRED

- 17mm socket on ratchet
- 7/16" socket (optional for DL210 mounting)
- Torque wrench.

IMPORTANT NOTES

1. Before fitting the stainless steel hardware, apply a small amount of anti-seize to the thread of the M10 x35mm mounting bolts.
2. Mounting points vary in design and load capacity. Ensure the light is within manufacturers recommended weight specifications before fitment.
3. Failure to correctly mount light may cause damage to light and vehicle.

MOUNTING BRACKET

1. Remove M10 nyloc nut and M10 washer from M10 x 35mm bolt attached to the bottom of mounting bracket
2. Locate the bracket in a suitable position using the M10 x 35mm bolt. It is recommended that the base area of the mounting bracket is totally supported
3. Align light to preferred driving position
4. Fit the washer and M10 nyloc nut then tighten using a 17mm socket & ratchet to specified torque (35Nm)

CAUTION: Do not use rattle guns.

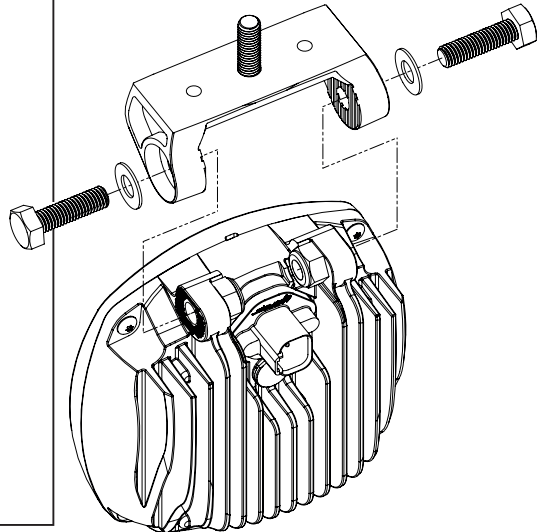
5. Tighten 2 x M10 x 35 side bolts to recommended torque (35Nm).

GENERAL CARE AND SAFETY TIPS

To wash your lights, use plenty of warm soapy water and a soft cloth only (this prevents surfaces from marking). Never use any solvent based cleaners or industrial detergents when cleaning as permanent damage may occur.

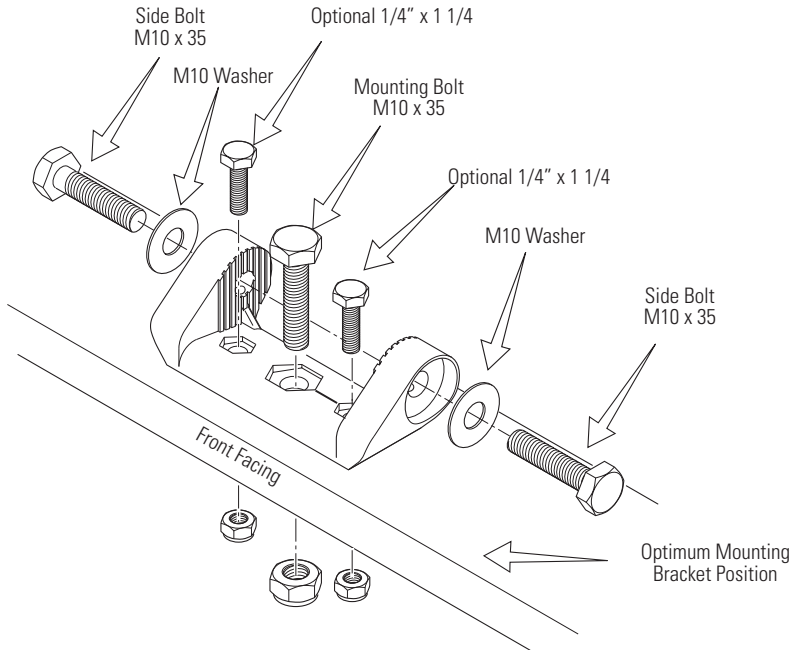
PERSONAL SAFETY WARNING

High intensity light source. Do not look directly into the light during operation, eye injury may result.



OPTIONAL FOR GENESIS LED

For high vibration environments we recommend fitting the supplied 1/4" x 1 1/4" long UNC stainless steel hex bolts with washers and nuts. Torque to 8Nm.



NOTE When lights are used in extreme environments always re-check torque settings. The mounting bracket can be rotated 180° for an additional fitment option.

ELECTRICAL CONNECTIONS

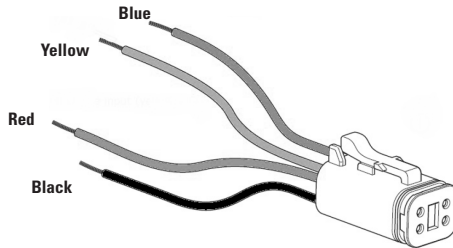
Venom LED and Genesis LED lights are fitted with a waterproof 4 pin electrical connector.

Included in the kit is the 4 pin waterproof harness adaptor fitted with short lengths of cable for integration with an appropriate wiring harness. **NOTE:** Harness must be capable of supplying 15A per light.

CONNECTOR WIRE COLOUR IDENTIFICATION

1. Red: Positive for full intensity– connect to positive output wire on relay / vehicle harness
2. Black: Negative - connect to negative (earth)
3. Blue: Positive for day time positioning (optional) - connect to ignition signal wire
4. Yellow: Positive for night time positioning (optional) - connect to low beam signal wire.

NOTE: To operate night time positioning, ensure blue wire is also connected to ignition signal wire.



WARNING: Only connect positioning lights in locations where they are legal to use. Please check local laws and regulations.

NOTE

For maximum performance, three mode operation and for safety, we recommend the use of Lightforce wiring harness LFDLHTS2. Follow the installation instructions included with the harness.

CAUTION

Improper installation of the connector will affect the reliability and operation of your lights. Do not remove the waterproof connector from the driving light cable; this will lead to water ingress and void warranty.

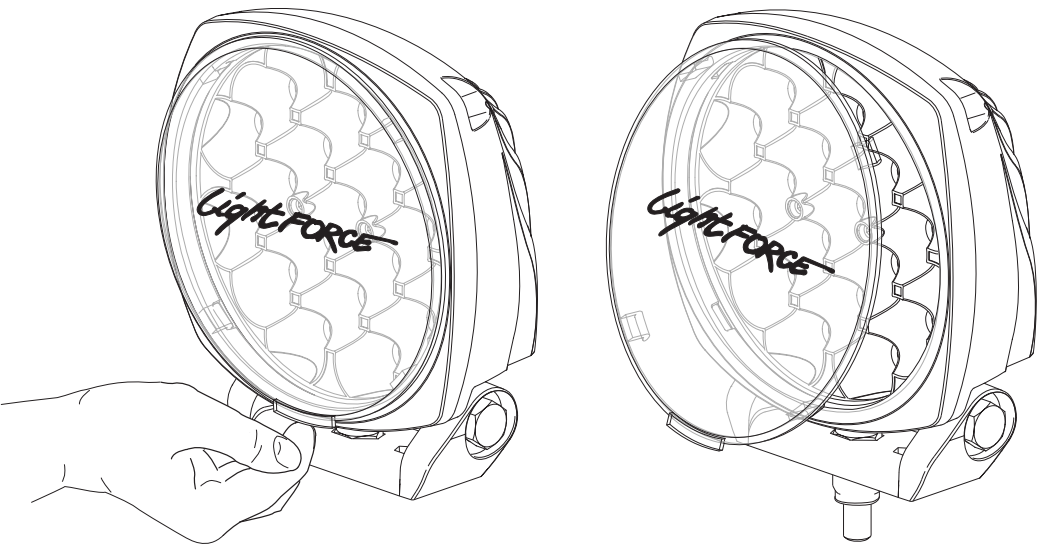
Lightforce driving lights are designed to be mounted in the horizontal/forward facing position only. Pointing the light upwards or downwards can cause heat damage to the lens. Failure to comply with this requirement may void warranty.

VENOM LED FILTER REMOVAL

- Filter is held in place by 4 clips.
- Lift tab at bottom of light and pull filter away from bezel releasing the clips.

VENOM LED FILTER REFITTING

- Insert the filter at the top position
- Push filter onto bezel using filter tab until side clips are engaged
- Ensure filter is correctly aligned within bezel.

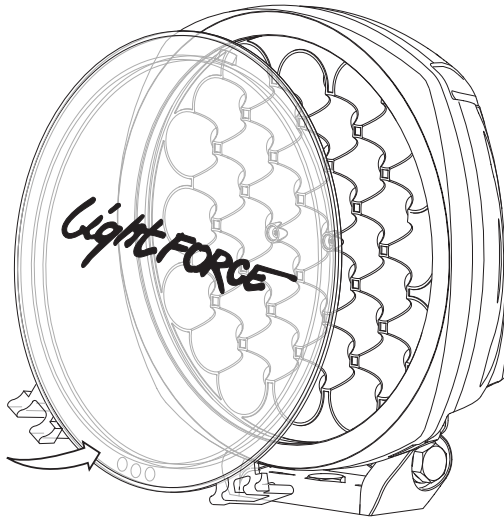


GENESIS LED FILTER REMOVAL

- Genesis filters have a locating lug at the top and locking tabs at the bottom
- Unlock bottom filter locking tabs from the light by lifting the rear of the tab away from the bezel
- Swing the base of the filter away from the light
- The filter will drop down and away from the light.

GENESIS LED FILTER REFITTING

- Insert the top locating lug into the recess found at the underside of the top of the bezel
- While pushing filter up, push the base of filter in towards the light
- Lock each filter tab in by pushing down on the forward facing lever tabs.



VENOM LED TECHNICAL SPECIFICATIONS - PER LIGHT

- Power: 75 Watts
- Raw lumens: 8270
- Effective lumens: 5764
- Input voltage range: 10 – 32V
- Current draw: 5.7 Amps @ 13.2V
- Colour temperature: 5000K
- LED lifespan: up to 50,000 hours
- Operating temperature: -40° to 63°C (-40° to 145°F)
- Weight including bracket: 1.2kg (2.65lb)

VENOM LED FEATURES - PER LIGHT

- 75W LED within a 150mm housing
- 21 x Lumileds LEDs
- 3 Stage Operation
 - Full intensity
 - Day time positioning
 - Night time positioning
- CISPR25* compliant reducing radio frequency interference
- Cast aluminium housing and bezel
- Hard-wearing UV stable powder coat finish
- Reverse polarity voltage protection
- High current waterproof connectors
- Rated at both IP68 and IP69K for the ultimate protection against dust, prolonged immersion and high-pressure water jets
- Genuine Gore® waterproof membrane with mechanical seal
- Thermal overload protection
- Impact resistant polycarbonate filter.

*CISPR25 is the internationally recognised standard covering allowable limits of electromagnetic radiated and conducted interference for components installed in vehicles

GENESIS LED TECHNICAL SPECIFICATIONS - PER LIGHT

- Power: 155 Watts
- Raw lumens: 15540
- Effective lumens: 9030
- Input voltage range: 10 – 32V
- Current draw: 11.3 Amps @ 13.2V
- Colour temperature: 5000K
- LED lifespan: up to 50,000 hours
- Operating temperature: -40° to 63°C (-40° to 145°F)
- Weight including bracket: 2.4kg (5.29lb)

GENESIS LED FEATURES - PER LIGHT

- 140W LED within a 210mm housing
- 37 x Lumileds LEDs
- 3 Stage Operation
 - Full intensity
 - Day time positioning
 - Night time positioning
- CISPR25* compliant reducing radio frequency interference
- Cast aluminium housing and bezel
- Hard-wearing UV stable powder coat finish
- Reverse polarity voltage protection
- High current waterproof connectors
- Rated at both IP68 and IP69K for the ultimate protection against dust, prolonged immersion and high-pressure water jets
- Genuine Gore® waterproof membrane with mechanical seal
- Thermal overload protection
- Impact resistant polycarbonate filter.

FASTENER TORQUE SPECIFICATIONS

- M10 x 35mm bottom and side mount bolt - 35Nm (26lb-ft)
- 1/4" x 1 1/4" long UNC stainless steel hex bolts - 8Nm (6lb-ft)

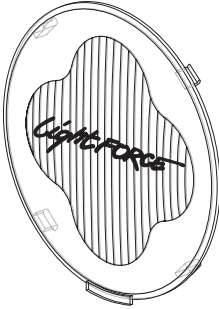
RECOMMENDED WIRE SIZE

- 1.25mm² (AWG 16) minimum per circuit

*Independently tested in approved NATA laboratory. National Association of Testing Authorities Accredited, Australia 2019. Photometric testing performed by Photometric Solutions International Pty Ltd (PSI) Huntingdale VIC September 2019.

DRIVING LIGHT FILTERS

Durable polycarbonate covers should remain fitted to driving lights at all times. They are capable of absorbing road grime and bombardment for many years. These replaceable covers should be renewed from time to time to protect your investment and maintain maximum beam output. Your Venom LED & Genesis LED lights come standard with spot filters. Clear combo filters are used to change the beam pattern.



Venom LED 150mm - Clear Combo
(Part No. F150CC)

When a pair of Venom LED driving lights are fitted with clear combo filters the beam pattern will spread to 140m wide at 210m.



Genesis LED 210mm - Clear Combo
(Part No. F210CC)

When a pair of Genesis LED driving lights are fitted with clear combo filters the beam pattern will spread to 130m wide at 280m.

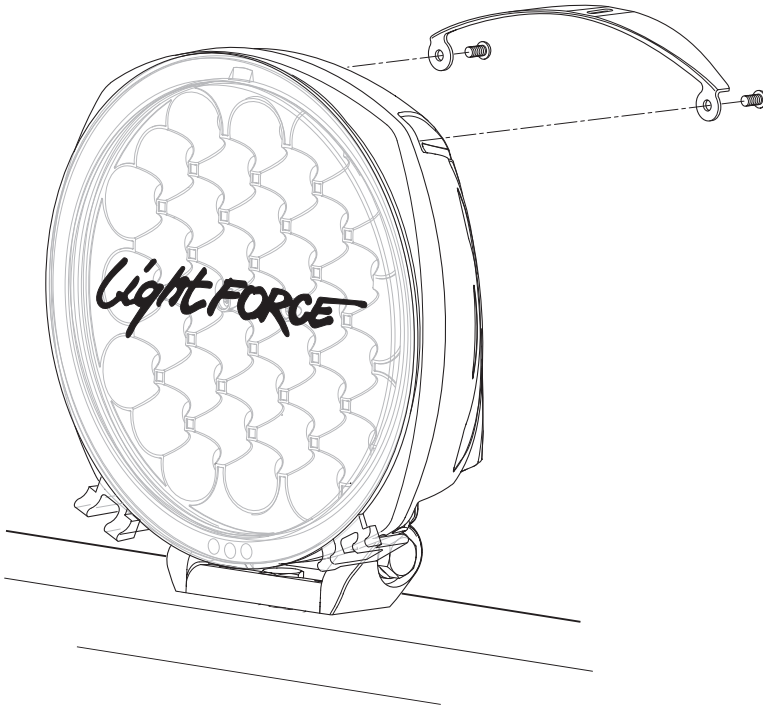
ALSO AVAILABLE

- Crystal blue filters are used to increase clarity when driving
- Amber filters are used to enhance vision when off-road driving through haze and dust
- Yellow filters are used to enhance vision in fog, haze and dust
- Black covers are used to customize your vehicle and added protection.

GENESIS LED TOP STAY BRACKET

(Part No. DL210TSB)

Your Genesis LED can be used with a top stay bracket to increase mounting rigidity when an additional fixture point is added to the vehicle.



NOTE This is recommended when using lights in high vibration environments

CROSS BOLT SECURITY FASTENER KIT

The simple to install security bolts and nuts will help protect your investment. (Part No. ATNSG2)

This kit contains 4 x M10 x 35mm anti-theft bolts plus 2 x M10 security nuts for the mounting bolts, both with corresponding coded keys requiring a 17mm, 11/16" spanner.

For use with the Venom LED, Genesis LED and Striker LED Driving Lights.

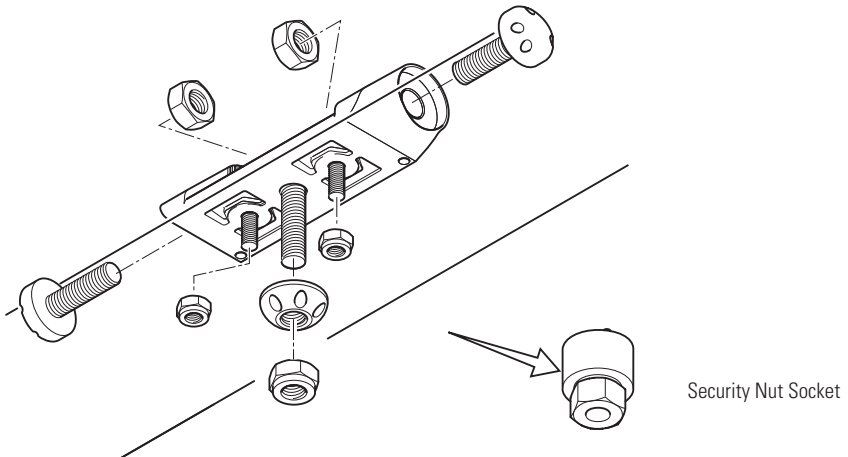
SECURING LIGHT TO MOUNTING BRACKET - replace the 4 standard M10 bolts

- Remove the standard M10 bolts and washers from each side of the mounting bracket and fit the anti-theft bolts, reusing the existing washers. Each bolt is 35mm in length exclusively designed for use with the Genesis LED and Venom LED driving lights.

SECURING MOUNTING BRACKET TO VEHICLE – replace standard nyloc nuts

- Remove the standard M10 nyloc nut and replace with anti-theft nyloc nuts as per diagram

All bolts are machined from 304 stainless steel. The key will only fit the anti-theft bolts/nuts in one position. Coded key is machined from steel with zinc protective coating.



ORDER CODE	DESCRIPTION
ACCESSORIES	
LFDLHTS2	Driving light harness 12V 4 pin, 3 stage switch operation with waterproof connectors. Suits VENOMLED150 / GENESISLED210
ATNSG2	Safeguard Anti-theft security lock set suits Venom LED & Genesis LED - kit includes 4 x 35mm bolts, 2 nuts and 1 key
LEDMB	Replacement mounting base for Genesis and Venom LED lights inc hardware
VENOM PROFESSIONAL EDITION LED	
F150CB	Venom 150mm – crystal blue
F150CC	Venom 150mm – clear combo
F170BLK	Venom 150mm – black cover
F150A	Venom 150mm – clear spot amber
GENESIS PROFESSIONAL EDITION LED	
DL210TSB	210mm Genesis LED top stay bracket
FC210C	Genesis 210mm – clear spot
F210CC	Genesis 210mm – clear combo
F210WC	Genesis 210mm – clear wide
F210CB	Genesis 210mm – crystal blue spot
F210CCB	Genesis 210mm – crystal blue combo
F210 WCB	Genesis 210mm – crystal blue wide
F210Y	Genesis 210mm – yellow spot
F210WY	Genesis 210mm – yellow wide
C210BLK	Genesis 210mm – black cover

WARRANTY CONDITIONS FOR AUSTRALIA

“Lightforce” means Lightforce Australia Pty Ltd
ABN 54 069 439 774 Address: 11 Manton Street,
Hindmarsh, SA, 5007. Telephone: +61 8 8440 0888.
Email Address: sales@lightforce.com

“Lightforce Affiliates” means Lightforce, Lightforce related bodies corporate (within the meaning of the Corporations Act 2001), and their respective employees, officers, agents, and contractors.

“Warranty Period” means:

Lightforce products claimed for repair or replacement under the conditions of a defect in materials or workmanship within normal use and conditions, are valid for the time period of five (5) years from the date of purchase; except accessories, switches, made-to-order items, custom built items, brackets, fascia and harness, bulbs, batteries and mounts which is one (1) year from the original date of purchase specified on your sales receipt or invoice.

Only Lightforce products and parts which remain unaltered from their factory supplied design are eligible for warranty. Modifications made to the product, any collision or impact damage of any kind, product tampered in any manner, including poor installation will void warranty.

REPAIR OR REPLACEMENT OF A PRODUCT OR PARTS:

A replacement product or part is warranted for the balance of the period remaining on the original product contract. A warranty replacement/repair does not constitute a new warranty period of (5) years or (1) year whichever is the correct warranty period. Products and parts presented for repair or replacement may be replaced by products of the same type, or superseding designs.

Goods presented for repair may be replaced by refurbished goods of the same type rather than being repaired. Refurbished parts may be used to repair the goods.

MAKING A CLAIM:

Under this warranty and unless Lightforce otherwise agrees in writing, you bear the cost of claiming under this warranty, Lightforce will however, bear the reasonable cost of transporting the product to Lightforce and returning the product to you.

Lightforce must assess warranty claims before a claim can be granted unless otherwise arranged for and by Lightforce.

To make a claim you will need;

- The receipt of purchase or similar proof AND
- The product being claimed for AND
- Have registered the claim with Lightforce by;

Calling **1800 03 03 08** and speaking with a warranty support officer OR

By emailing **support@lightforce.com**

A support officer will raise a case number and provide you with any necessary labelling and freight paperwork to process the claim.

USE OF PERSONAL INFORMATION:

This warranty will not apply if you do not supply to us or to our Lightforce Affiliates information that we reasonably request to enable us to perform our obligations under this warranty. You have the right to access your personal contact information and request correction of any errors in it pursuant to the Privacy Act 1988 by contacting Lightforce.

STATUTORY RIGHTS:

Our goods come with guarantees that cannot be excluded under the Australian Consumer Law. You are entitled to a replacement or refund for a major failure and compensation for any other reasonably foreseeable loss or damage. You are also entitled to have the goods repaired or replaced if the goods fail to be of acceptable quality and the failure does not amount to a major failure.

LIMITATION OF LIABILITY:

1. Where permitted, or not prohibited, under any law, including under the Australian Consumer Law, Lightforce and Lightforce Affiliates' liability in respect of any defect in materials or workmanship or in respect of a product which is not otherwise of acceptable quality (within the meaning of the Australian Consumer Law), is limited at the option of Lightforce, to:
 - a. The replacement or repair of the product,
 - b. The payment of the cost of replacing or repairing the product; or
 - c. The payment of the cost of acquiring an equivalent product.
2. Accordingly, to the extent permitted or not prohibited under any law (including the Australian Consumer Law):
 - a. neither Lightforce nor any Lightforce Affiliates are liable under any circumstances (including in contract, negligence or other tort, or under any other legal doctrine) for third party claims against you for damages; special, incidental, punitive, indirect or consequential damages, including but not limited to lost profits, business revenue, goodwill or anticipated savings; and
 - b. in no case does the total liability of Lightforce, Lightforce Affiliates, or their respective suppliers, resellers or service providers to any person for damages from any cause (including in contract, negligence or other tort, or under any other legal doctrine), in connection with the supply of a product exceed the lesser of the actual direct damages of that person and the amount paid for the product by that person.

The foregoing limitations do not apply to damages for bodily injury (including death), damage to real property or damage to tangible personal property for which Lightforce is liable under any non-excludable law.



LIGHTFORCE AUSTRALIA PTY LTD

11 Manton Street, Hindmarsh SA 5007 Australia
www.lightforce.com • Email: sales@lightforce.com
Australia Telephone: 1800 030 308 | Fax: 08 8346 0504
International Telephone: +61 8 8440 0888 | Fax: +61 8 8346 0504

All logos and images are subject to relevant trademark and copyright protection. Copyright © Lightforce Australia Pty Ltd 2024. Data and specifications may be subject to change without notice. Lightforce Australia Pty Ltd shall not be liable for damage, malfunction, failure resulting from accident, misuse, misapplication, unauthorised repair, neglect, modification, unauthorised or non standard replacement parts, accessories, bulbs, batteries or voltage or operation of the product beyond its technical and or environmental specification.